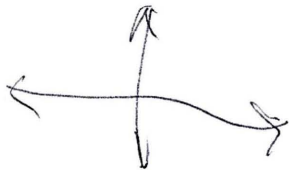
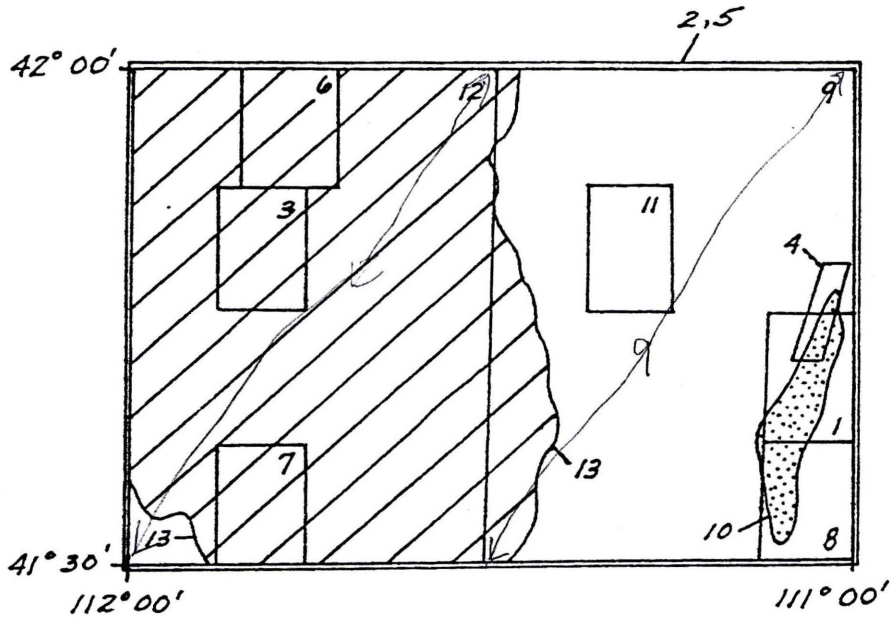


SOURCES OF GEOLOGIC MAPPING

1. Chamberlain, R. L., 1980, Structure and stratigraphy of the Rex Peak quadrangle, Rich County, Utah: Brigham Young University Geologic Studies v. 27, pt. 3, p. 44-54, scale 1:24,000.
2. Dover, J. H., 1977-1980, Unpublished reconnaissance geologic mapping, scale 1:24,000.
3. Galloway, C. L., 1970, Structural geology of eastern part of the Smithfield quadrangle, Utah: Utah State University (Logan, Utah), Unpublished M.Sc. thesis, 115 p., scale 1:12,000.
4. Gere, W. C., 1955, Phosphate deposits, northern part Crawford Mountains, Rich County, Utah, and Lincoln County, Wyoming: U.S. Geological Survey, Conservation Division Preliminary Map #2, scale 1:12,000.
5. Hintze, L. F., 1980, Geologic map of Utah: Utah Geological and Mineral Survey Map, scale 1:500,000.
6. Mendenhall, A. J., 1975, Structural geology of eastern part of Richmond and western part of Naomi Peak quadrangles, Utah-Idaho: Utah State University (Logan, Utah), Unpublished M.Sc. thesis, 45 p., scale 1:12,000.
7. Mullens, T. E., and Izett, G. A., 1963, Geology of the Paradise quadrangle, Utah: U.S. Geological survey Map GQ-185, scale 1:24,000.

APP 43 #12



*INDEX TO SOURCES OF  
GEOLOGIC MAPPING*

